

Gate Valves

Type 09012



Gate Valves, PN16, DIN EN 12288

Bronze body, screwed topwork in brass with maintenance-free gland packing (O-Ring) and non rising stem

Part No. 09012.X.0000V

Female thread connection (R) acc. to ISO 7-1 Rp



Applications:

Suitable for non-toxic, non-inflammable fluids, gases and vapours. The laws, regulations and standards are to observe for the range of application.

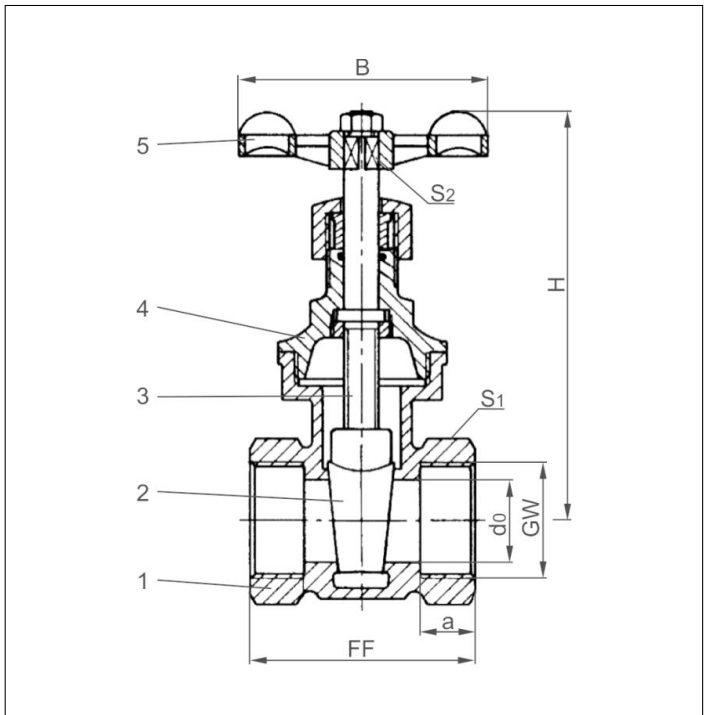
Working temperatures and pressures:

up to max. 16.0 bar: -10°C / +14°F (263K) up to +80°C / +176°F (353K)

up to max. 10.0 bar: -10°C / +14°F (263K) up to +120°C / +248°F (393K)

up to max. 6.0 bar: -10°C / +14°F (263K) up to +180°C / +356°F (453K)

Materials	DIN EN	ASTM
1 Body	CC491K	B 62 UNS C83600
2 Wedge	CC491K	B 62 UNS C83600
3 Stem	CW614N	B 283 UNS C38500
4 Headpiece	CW614N	B 283 UNS C38500
5 Handwheel	Aluminium - diecasting	



Essential: When ordering or requesting an offer please indicate flow medium, working pressure and working temperature.



Type 09012	Technical data						
Nominal size	GW	1/2	3/4	1	1-1/4	1-1/2	2
Dimension code	.X.	0400	0600	1000	1200	1400	2000
Face-to-face dimension	FF	55	60	68	76	80	93
Height	H	85	105	115	130	150	180
Socket depth	a	15.0	16.3	19.1	21.4	21.4	25.7
Flow diameter	d ₀	12.0	17.5	23.2	29.0	36.0	47.0
Handwheel-Ø	B	60	70	70	80	90	110
Wrench size across flats	S ₁	27	32	41	50	58	70
Wrench size across flats	S ₂	6	7	8	9	9	11
Weight	ca. kg	0.36	0.54	0.82	1.10	1.60	2.40

Dimensions in mm.