

Strainers

Type 08161



Strainer, PN16

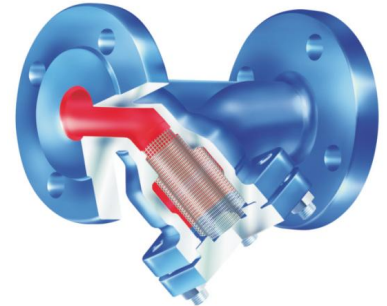
Body and cap in cast iron
Y-type pattern, stainless steel strainer screen

Part No. 08161.X.0000

Flanged connection acc. to DIN EN 1092-1 PN16
face-to-face dimension acc. to DIN EN 558-1, Reihe 1

Available options - on request only:

- screen with 0.25 mm mesh



Applications:

Suitable for non-toxic, non-inflammable fluids, gases and vapours.
The laws, regulations and standards are to observe for the range of application.

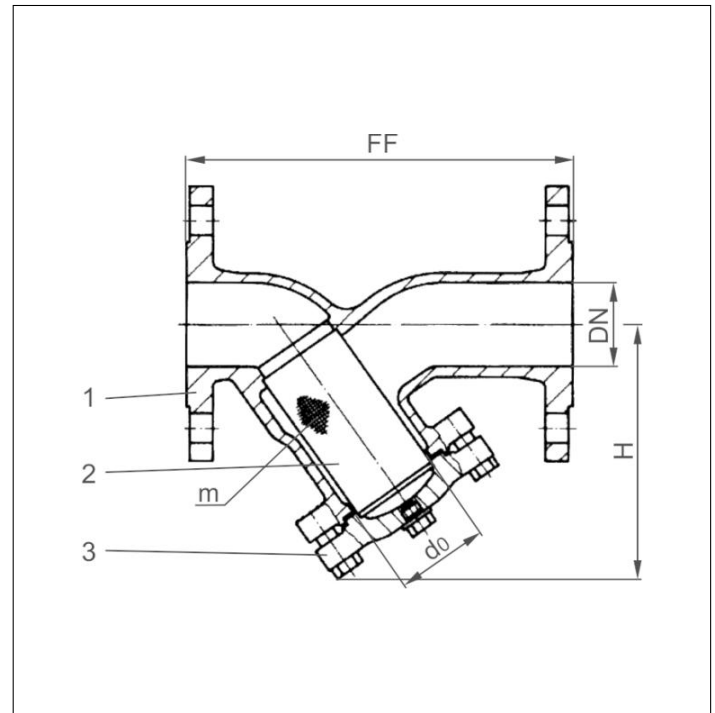
Working temperatures and pressures:

up to max. 16.0 bar: -10°C / +14°F (263K) up to +120°C / +248°F (393K)

up to max. 13.0 bar: -10°C / +14°F (263K) up to +200°C / +437°F (473K)

Materials	DIN EN	ASTM
1 Body	0.6025	A 48-83 Gr. 35B
2 Screen	1.4301	A 276 Grade 304
3 Cap	0.6025	A 48-83 Gr. 35B

Essential: When ordering or requesting an offer please indicate flow medium, working pressure and working temperature.



Type 08161	Technical data											
Nominal size	DN	15	20	25	32	40	50	65	80	100	125	150
Dimension code	.X.	0150	0200	0250	0320	0400	0500	0650	0800	1000	1250	1500
Face-to-face dimension	FF	130	150	160	180	200	230	290	310	350	400	480
Height	H	90	100	115	125	150	160	180	215	235	275	305
Flange diameter	D	95	105	115	140	150	165	185	200	220	250	285
Flow diameter	d ₀	23	28	36	42	50	61.5	78.5	89.5	109.5	137.5	160
Mesh	m	1.0	1.0	1.0	1.0	1.0	1.0	1.25	1.25	1.6	1.6	1.6
Weight	ca. kg	3.0	4.0	5.0	7.0	9.0	12.0	16.0	21.0	30.0	43.0	61.0

Dimensions in mm.