

Pressure reducing Valves

Type 08011



Pressure Reducing Valves

Bronze body, with balanced seat,
disc with NBR seal, pressure gauge connection G1/4,
with piston control

inlet pressure: up to max. 40.0 bar

outlet pressure: 1.5 up to 20.0 bar

greatest reducing ratio: 6 : 1

Part No. 08011.X.0000

Female thread connection (R) acc. to ISO 7-1 Rp



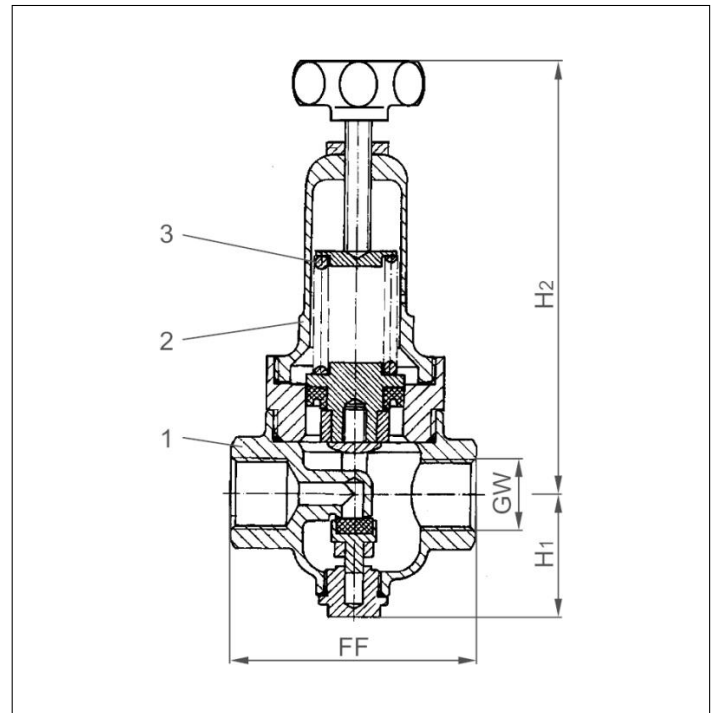
Applications:

Suitable for compressed air, nitrogen and similar non-inflammable, non-toxic gases.

Working temperature: -10°C / +14°F (263K) up to +75°C / +167°F (348K)

Materials	DIN EN	ASTM
1 Body	CC491K	B 62 UNS C83600
2 Bonnet (GW 1/4 - 1)	CW614N	B 249 UNS C38500
2 Bonnet (GW 1-1/4 - 2)	0.6025	A 48-83 Gr. 35B
3 Spring	1.1200	A 227

Essential: When ordering or requesting an offer please indicate flow medium, working pressure and working temperature.



Type 08011	Technical data									
Nominal size	GW	1/4	3/8	1/2	3/4	1	1-1/4	1-1/2	2	
Dimension code	.X.	0200	0300	0400	0600	1000	1200	1400	2000	
Face-to-face dimension	FF	70	70	85	85	95	104	108	147	
Height	H ₁	48	48	48	48	55	61	61	64	
Height	H ₂	130	130	140	140	185	230	230	295	
Weight	ca. kg	1.20	1.15	1.70	1.70	2.65	5.95	6.10	9.80	

Dimensions in mm.