

Safety Valves

Type 06603



Safety Valves, angle type, bronze, type tested TÜV-SV.1080. S/G

Standard safety valve
with O-ring valve seal,
closed bonnet, with lifting device,
with enlarged outlet
In- and outlet: female thread type G (BSPP) acc. to ISO 228/1

Part No. 06603.1204.0000

Available options - on request only:

- external parts nickel plated



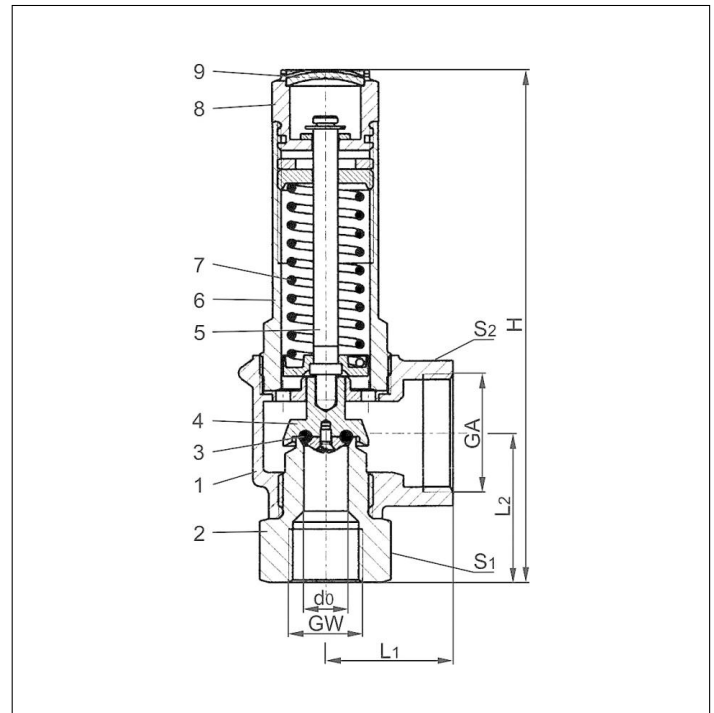
Applications:

Provided as safety device for protection against excessive pressure in pressure vessels and steam boilers. Approved for non-toxic gases, vapours and for saturated steam.

Working temperature: -10°C / +14°F (263K) up to +180°C / +356°F (453K)

For saturated steam use only up to 3 bar and +130°C / +266°F (403K)

| Materials | DIN EN | ASME/ASTM |
|------------------|--------|-------------------|
| 1 Body | CC491K | B 62 UNS C83600 |
| 2 Inlet body | CW614N | B 111 UNS C28000 |
| 3 O-ring | EPDM | |
| 4 Disc | CW614N | B 249 UNS C38500 |
| 5 Stem | CW614N | B 249 UNS C38500 |
| 6 Bonnet | CW614N | B 249 UNS C38500 |
| 7 Spring | 1.4571 | A 313 Grade 316Ti |
| 8 Lifting device | CW614N | B 249 UNS C38500 |
| 9 Closing cap | CW507L | B 36 UNS C26800 |



| Type 06603 | Technical data | |
|----------------------------------|----------------|-------|
| Nominal size | GW | 1/2 |
| Orifice | d_0 | 12.5 |
| Set pressure range | bar | 0.2-5 |
| Outlet | GA | 1 |
| Height | H | 145 |
| Length | L_1 | 36 |
| Length | L_2 | 42 |
| Wrench size across flats | S_1 | 32 |
| Wrench size across flats | S_2 | 41 |
| Weight | ca. kg | 0.7 |
| Coeff. of discharge from 3.0 bar | α_w | 0.74 |

Dimensions in mm.

Safety Valves

Type 06603



Discharge capacities

Calculation of flow rate acc. to AD2000-Merkblatt A2

Medium:

Air in m³/h at 0°C and 1013.25 mbar

Saturated steam in kg/h

The capacity indicated below is for a fully opened valve.

d₀ - orifice

A₀ - flow area

| Set pressure in bar (g) | GW | 1/2 | 1/2 |
|-------------------------|-----------------------------------|-------|-----------------|
| | d ₀ (mm) | 12.5 | 12.5 |
| | A ₀ (mm ²) | 122.7 | 122.7 |
| | Medium | Air | Saturated steam |
| 0.2 | | 51 | 48 |
| 0.5 | | 80 | 67 |
| 1.0 | | 120 | 95 |
| 1.5 | | 160 | 126 |
| 2.0 | | 196 | 154 |
| 2.5 | | 231 | 181 |
| 3.0 | | 267 | 209 |
| 3.5 | | 301 | - |
| 4.0 | | 336 | - |
| 4.5 | | 370 | - |
| 5.0 | | 405 | - |