

Safety Valves

Type 06218, Type 06219



Safety Valves, brass,
type tested TÜV-SV.1090. S/G

Full lift safety valve
with PTFE O-Ring valve seal,
open bonnet, with discharge holes
Inlet: male thread type G (BSPP) acc. to ISO 228/1

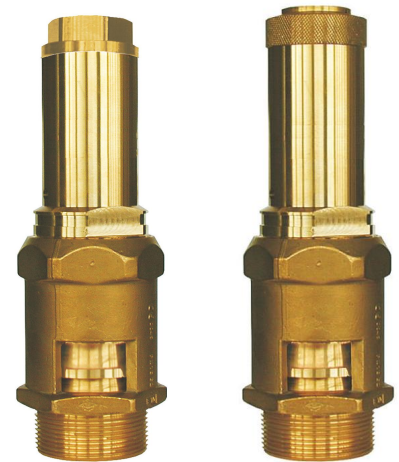
Part No. 06218.0600.0000

Part No. 06219.0600.0000

with lifting device

Available options - on request only:

- external parts nickel plated

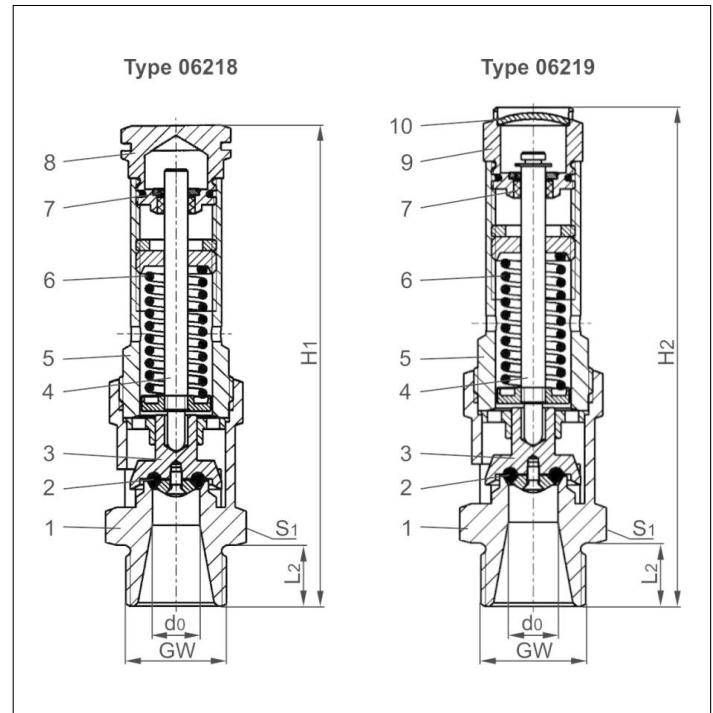


Applications:

Provided as safety device for protection against excessive pressure in stationary and moveable gas cylinders and pressure vessels. Approved for air and similar gases.

Working temperature: -60°C / -76°F (213K) up to +150°C / +302°F (423K), suitable for horizontal installation

Materials	DIN EN	ASME/ASTM
1 Body	CW617N	EN 12165
2 Valve seal	PTFE O-Ring	
3 Disc	CW614N	EN 12164
4 Stem	CW614N	EN 12164
5 Bonnet	CW614N	EN 12164
6 Spring	1.4571	A 313 Grade 316Ti
7 Stem guide	PTFE	
8 Cap	CW614N	EN 12164
9 Lifting device	CW614N	EN 12164
10 Closing cap	CW507L	B 36 UNS C26800



Type 06218 & 06219	Technical data	
Nominal size	GW	3/4
Orifice	d ₀	12.5
Set pressure range	bar	3.5-17.0
Height	H ₁	121.5
Height	H ₂	126
Length	L ₂	16
Wrench size across flats	S ₁	32
Weight	ca. kg	0.40
Coeff. of discharge	α _w	0.75

Dimensions in mm.

Safety Valves

Type 06218, Type 06219



Discharge capacities

Calculation of flow rate acc. to AD2000-Merkblatt A2

Medium:

Air in m³/h at 0°C and 1013.25 mbar

The capacity indicated below is for a fully opened valve.

d₀ - orifice

A₀ - flow area

Set pressure in bar (g)	GW	3/4
	d ₀ (mm)	12.5
	A ₀ (mm ²)	122.7
Medium		
0.5		-
1.0		-
2.0		-
3.0		-
3.5		305
4.0		340
5.0		410
6.0		479
7.0		548
8.0		619
9.0		689
10.0		760
11.0		829
12.0		899
13.0		969
14.0		10389
15.0		1108
16.0		1177
17.0		1247
18.0		-
20.0		-
22.0		-