

Check Valves

Type 05083



Check Valves, PN16

Bronze body, screwed cap in brass

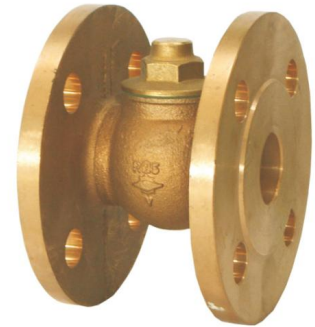
Part No. 05083.X.0160

Flanged connection acc. to DIN EN 1092-3 PN16

Disc with FPM seal

Available options - on request only:

- Disc with PTFE seal



Applications:

Suitable for non-toxic, non-inflammable fluids, gases and vapours.

The laws, regulations and standards are to observe for the range of application.

Working temperatures and pressures:

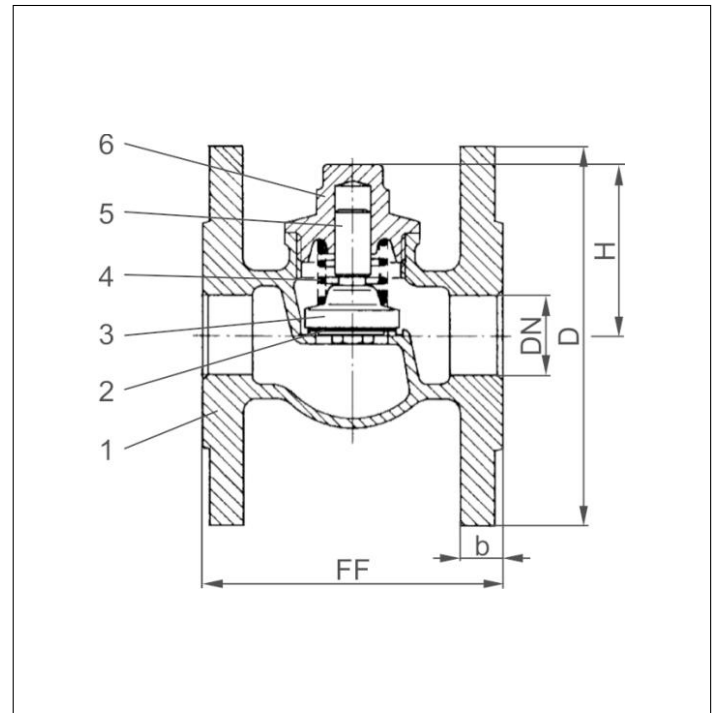
up to max. 16.0 bar: -10°C / +14°F (263K) up to +80°C / +176°F (353K)

up to max. 10.0 bar: -10°C / +14°F (263K) up to +120°C / +248°F (393K)

up to max. 6.0 bar: -10°C / +14°F (263K) up to +160°C / +320°F (433K)

Materials	DIN EN	ASTM
1 Body	CC491K	B 62 UNS C83600
2 Valve seal	FPM	
3 Disc	CW614N	B 283 UNS C38500
4 Spring	1.4310	A 313 Grade 301
5 Guide piece	CW614N	B 283 UNS C38500
6 Cap	CW614N	B 283 UNS C38500

Essential: When ordering or requesting an offer please indicate flow medium, working pressure and working temperature.



Type 05083	Technical data					
Nominal size	DN	20	25	32	40	50
Dimension code	.X.	0200	0250	0320	0400	0500
Face-to-face dimension	FF	80	90	95	110	125
Height	H	50	55	55	65	75
Flange diameter	D	105	115	140	150	165
Width of flange	b	12	12	14	14	16
Weight	ca. kg	1.9	2.6	3.7	4.3	6.4

Dimensions in mm.