

Check Valves

Type 05040



Check Valves, swing type, PN16

Bronze body, screwed cap in brass

Female thread type G (BSPP) acc. to ISO 228/1

Part-No. 05040.X.0000

Metal to metal seated

Part-No. 05040.X.0200

Disc with silicone seal

Part-No. 05040.X.0600

Disc with EPDM seal

Part-No. 05040.X.0700

Disc with FPM seal



Applications:

Suitable for non-toxic, non-inflammable fluids, gases and vapours.

The laws, regulations and standards are to observe for the range of application.

Working temperatures and pressures:

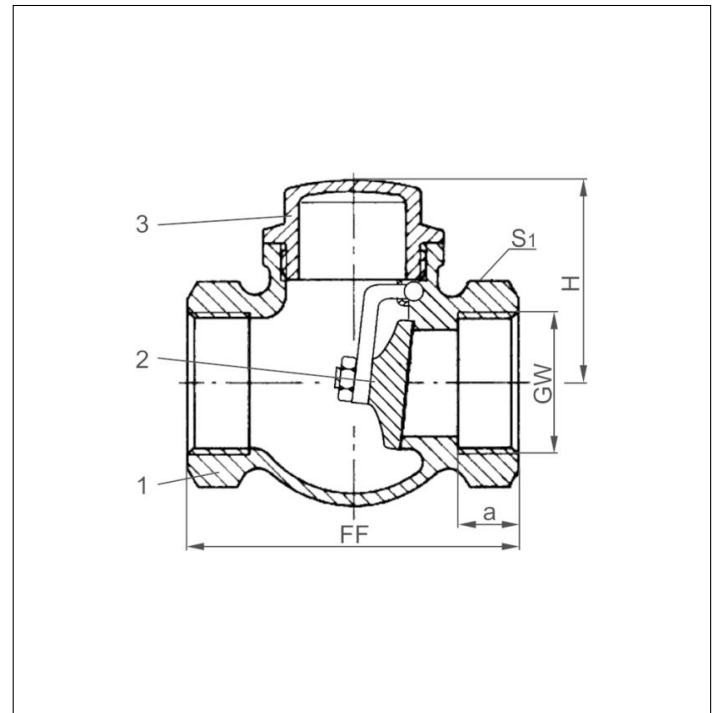
up to max. 16.0 bar: -10°C / +14°F (263K) up to +80°C / +176°F (353K)

up to max. 10.0 bar: -10°C / +14°F (263K) up to +120°C / +248°F (393K)

up to max. 6.0 bar: -10°C / +14°F (263K) up to +160°C / +320°F (433K)

Materials	DIN EN	ASTM
1 Body	CC491K	B 62 UNS C83600
2 Swing	CW614N	B 283 UNS C38500
3 Cap	CW614N	B 283 UNS C38500

Essential: When ordering or requesting an offer please indicate flow medium, working pressure and working temperature.



Type 05040	Technical data							
Nominal size	GW	1/2	3/4	1	1-1/4	1-1/2	2	2-1/2
Dimension code	.X.	0400	0600	1000	1200	1400	2000	2400
Face-to-face dimension	FF	60	70	80	95	105	130	160
Height	H	40	49	56	60	70	80	105
Flow diameter	d ₀	13	17	22	28	31	46	60
Socket depth	a	12	13	15	16	18	20	20
Wrench size across flats	S ₁	27	34	41	51	55	70	90
Weight	ca. kg	0.28	0.45	0.70	0.96	1.40	2.10	3.70
Kvs-Value	m ³ /h	5.5	10.2	20.2	34.7	44.9	104.0	175.0

Dimensions in mm.