

Control Valves

Type 04020



Control Valves, PN16, DIN 3844

Control characteristic: linear

Bronze body, screwed topwork in brass
with opening indicator

Part No. 04020.X.0000

Female thread type G (BSPP) acc. to ISO 228/1



Applications:

Suitable for non-toxic, non-inflammable fluids, gases and vapours.

The laws, regulations and standards are to observe for the range of application.

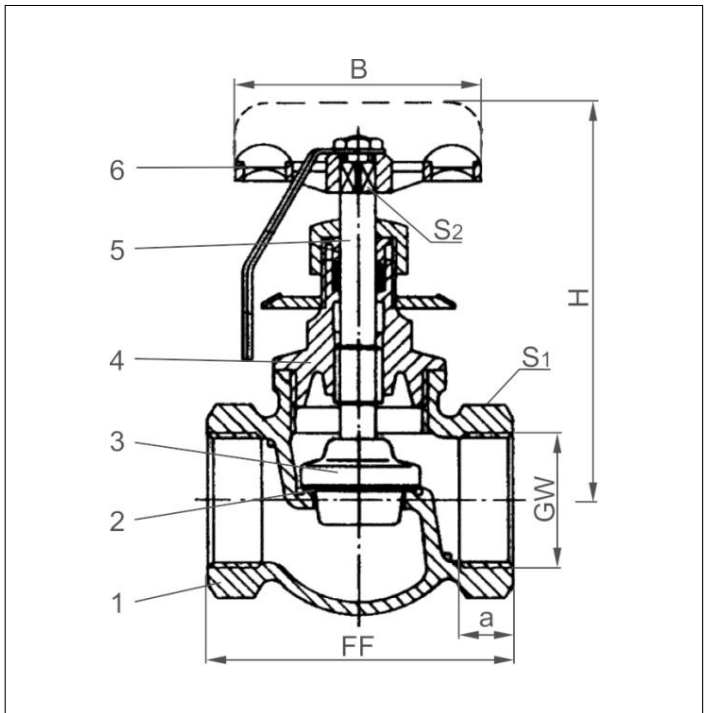
Working temperatures and pressures:

up to max. 16.0 bar: -10°C / +14°F (263K) up to +80°C / +176°F (353K)

up to max. 10.0 bar: -10°C / +14°F (263K) up to +120°C / +248°F (393K)

up to max. 6.0 bar: -10°C / +14°F (263K) up to +160°C / +320°F (433K)

Materials	DIN EN	ASTM
1 Body	CC491K	B 62 UNS C83600
2 Valve seal	PTFE	
3 Control disc	CW614N	B 283 UNS C38500
4 Headpiece	CW614N	B 283 UNS C38500
5 Stem	CW614N	B 283 UNS C38500
6 Handwheel	Aluminium - diecasting	



Essential: When ordering or requesting an offer please indicate flow medium, working pressure and working temperature.



Type 04020	Technical data							
Nominal size	GW	3/8	1/2	3/4	1	1-1/4	1-1/2	2
Dimension code	.X.	0300	0400	0600	1000	1200	1400	2000
Face-to-face dimension	FF	50	60	70	80	95	105	130
Height	H	75	85	95	105	120	130	145
Socket depth	a	10	13	14	17	19	19	23
Handwheel-Ø	B	40	50	60	70	80	90	110
Wrench size across flats	S ₁	22	27	32	41	50	58	70
Wrench size across flats	S ₂	4.5	5	6	7	8	9	9
Weight	ca. kg	0.35	0.4	0.5	0.7	1.1	1.4	2.3
Kvs-Value	m ³ /h	1.5	2.0	4.0	6.0	12.0	16.0	25.0

Dimensions in mm.