

# Globe Valves

## Type 03050



### Globe Valves, PN16, DIN 86 260-A

Bronze body and topwork  
metal to metal seated

#### Part No. 03050.X.0160

Flanged connection acc. to DIN EN 1092-3 PN16  
face-to-face dimension acc. to DIN EN 558-1, Reihe 1

Available options - on request only:

- Disc with PTFE seal
- Valve with control disc (tapered design) and PTFE seal



### Applications:

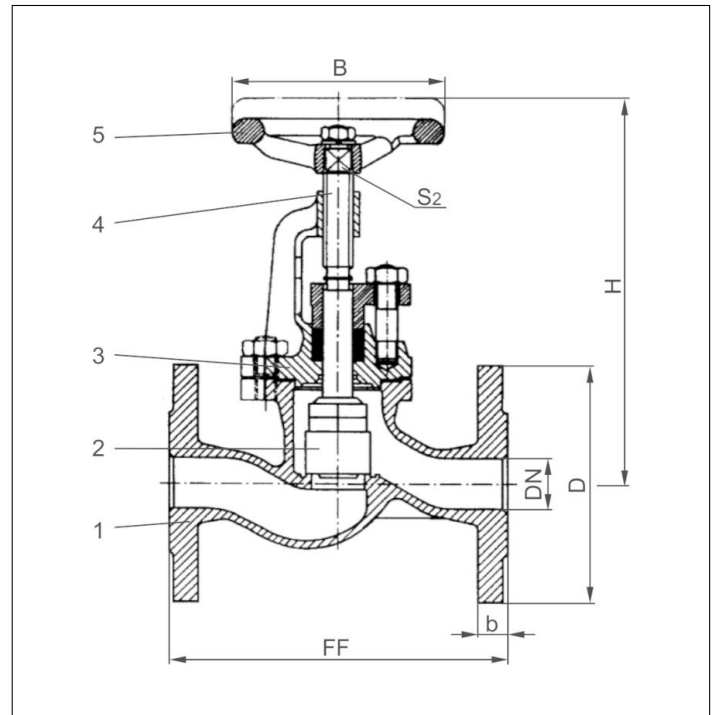
Suitable for non-toxic, non-inflammable fluids, gases and vapours.

The laws, regulations and standards are to observe for the range of application.

Working temperatures: -10°C / +14°F (263K) up to +225°C / +437°F (498K)

| Materials   | DIN EN    | ASTM            |
|-------------|-----------|-----------------|
| 1 Body      | CC491K    | B 62 UNS C83600 |
| 2 Disc      | CC491K    | B 62 UNS C83600 |
| 3 Headpiece | CC491K    | B 62 UNS C83600 |
| 4 Stem      | CW710R    | no reference    |
| 5 Handwheel | cast iron |                 |

**Essential:** When ordering or requesting an offer please indicate flow medium, working pressure and working temperature.



| Type 03050               | Technical data |      |      |      |      |      |      |      |      |      |
|--------------------------|----------------|------|------|------|------|------|------|------|------|------|
| Nominal size             | DN             | 25   | 32   | 40   | 50   | 65   | 80   | 100  | 125  | 150  |
| Dimension code           | .X.            | 0250 | 0320 | 0400 | 0500 | 0650 | 0800 | 1000 | 1250 | 1500 |
| Face-to-face dimension   | FF             | 160  | 180  | 200  | 230  | 290  | 310  | 350  | 400  | 480  |
| Height                   | H              | 210  | 220  | 250  | 250  | 315  | 335  | 375  | 420  | 460  |
| Flange diameter          | D              | 115  | 140  | 150  | 165  | 185  | 200  | 220  | 250  | 285  |
| Width of flange          | b              | 12   | 14   | 14   | 16   | 16   | 18   | 20   | 20   | 22   |
| Handwheel-Ø              | B              | 100  | 125  | 150  | 150  | 185  | 200  | 200  | 225  | 250  |
| Wrench size across flats | S <sub>2</sub> | 9    | 11   | 12   | 12   | 14   | 17   | 17   | 19   | 22   |
| Weight                   | ca. kg         | 6.0  | 8.0  | 10.0 | 12.0 | 17.0 | 23.0 | 30.0 | 50.0 | 65.0 |

Dimensions in mm.