

Contact pressure gauges with diaphragm Stainless steel , with or without filling

Nominal size 100 , 160
Accuracy class 1,6 and 2,5

according to DIN EN 837-3

Features

- High resistance to overpressure
- High corrosion resistance with chemically aggressive media and environments
- Protection IP 65
- Liquid dampening provides vibration free display

Applications

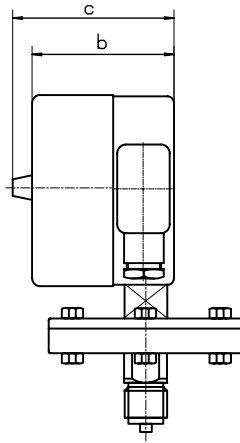
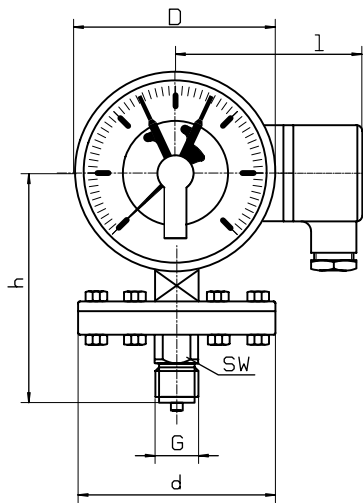
- Chemical and petrochemical industry
- Food and beverage industry
- Mechanical engineering,
plant and apparatus construction



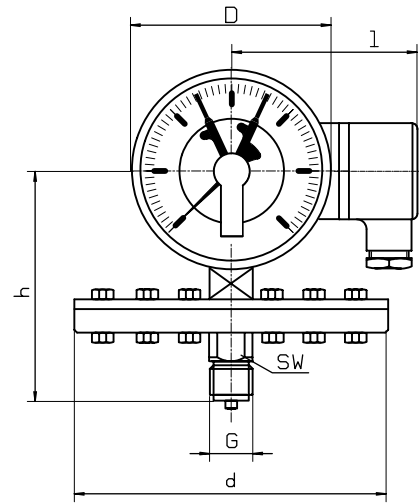
Version	with silicone oil filling		
Model and ND	KMP-30 100	KMP-30 160	KMP-30 F 100 KMP-30 F 160
Connection	bottom		
Accuracy class	1,6, ranges under 600 mbar with filling only Kl. 2,5		
Ranges	in mbar 0...60, 100, 160, 250, 400 in bar 0...0,6, 1, 1,6, 2,5, 4, 6, 10, 16, 25 in bar -0,6 / 0, -1 / 0, -1 / +0,6, -1 / +1,5, -1 / +3, -1 / +5, -1 / +9, -1 / +15		
Application	Constant load full scale value Alternating load 0,9 x full scale value Overload protection 1,3 x full scale value short time		
Case	CrNi steel		
Bezel	CrNi steel		
Window	Laminated safety glass		
Dial	Aluminium white, scale black		
Pointer	Aluminium, black		
Movement	CrNi steel		
Flangediameter	160 mm up to 250 mbar, 100 mm from 0,4 bar		
Measuring element	CrNi steel , from 2,5 bar Duratherm 600		
Lower flange	SW 22, CrNi steel		
Connection	G 1/2 B and DIN-flange DN 15, 20, 25 and 50, for all PN 40		
Protection	IP 54 according to EN 60529 / IEC 529		IP 65 EN 60529 / IEC 529
Temperatures	Medium: -20°C to 100°C, Ambient: -25°C to 60°C		
Informations about magnet snap action contact and inductive contact see data sheets M 950 and 960			

Dimensions

Flange 100 mm



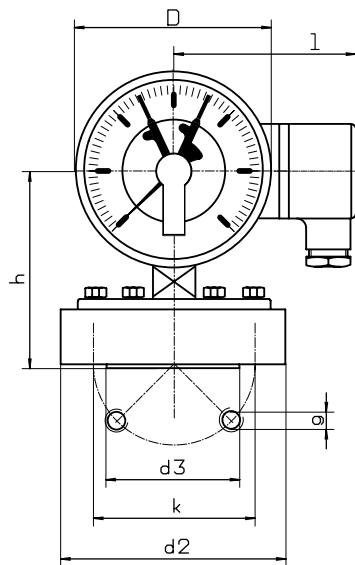
Flange 160 mm



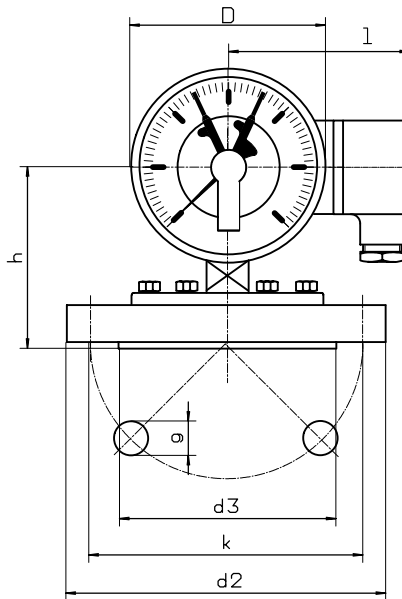
Flange according to DIN

Flange 100 mm

DN 25

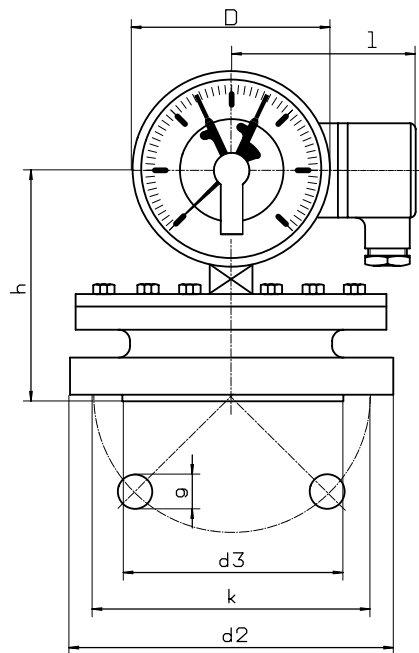


DN 50



Flange 160 mm

DN 50



Modelspecification

Model
KMP-3

Connection
0

bottom = 0

Filling

F or -

with filling = F
without filling =

Nominal size

100 or 160

Case ND 100 = 100
Case ND 160 = 160

Range

f.e. 10 bar

in rangespecification
or direct 10 bar

Options

f.e. M 12

Contact after specification

Contact closes/opens
other versions
f.e. DIN flange DN 50

Dimensions table look at data sheet M 590

SUCHY MESSTECHNIK

Garnsdorfer Hauptstraße 116 ,D-09244 Lichtenau Telefon:037208/88 42-0 Fax:037208/88 42-12
e-Mail:suchy@suchy-messtechnik.de

Modifications reserved