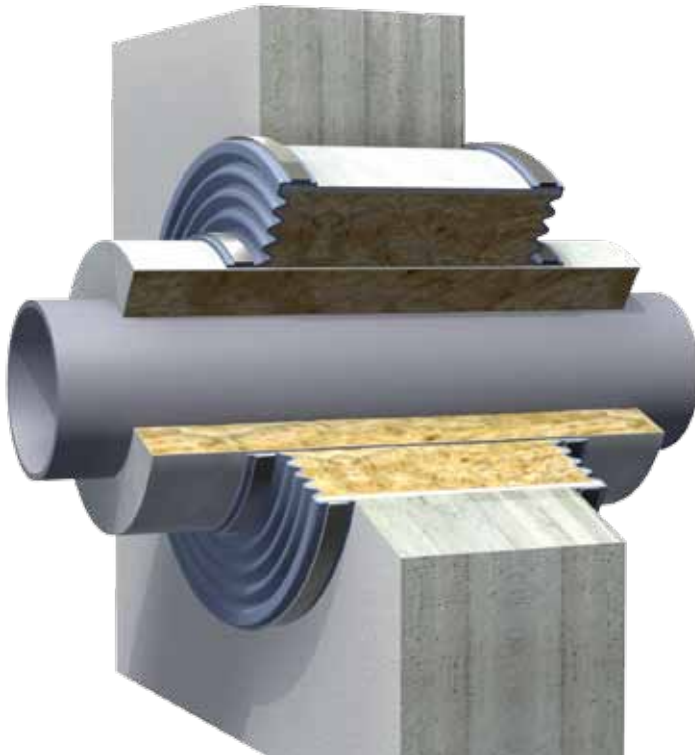


W200x + W200x

up to NB 400 wall pipes and NB 150 medium pipes



► Type W200SS + W200SS

Type key ► page 20

W2 0 0 SS
 └─ Fixing variants
 └─ Support ring variants
 └─ Number of arches
 └─ Type

Application:

Power plants, plant construction, turbine houses, R90 fire protection bulkhead for pipe penetrations with axial and lateral movements

Tested according to DIN 4102, Section 11 General Building Supervision Certificate MPA Braunschweig No. P-3740/4280-MPA BS

R90 fire protection bulkheads for pipe penetrations up to wall pipe NB 400 and medium pipe NB 150

Design:	Fire protection bulkhead possessing General Building Supervision Certificate consisting of elastic seals with clamped or flanged fixing on both sides of the wall or ceiling and a ring gap insulating layer
Wall side:	A + B
Type:	Membrane W200x Wall/ceiling sealing membrane with or without pre-shaped folds
Fixing:	Both sides on the wall and medium pipe with sleeves for clamped fixing type W200SS Optional dowelled to the wall with clamping flange if there is no wall pipe (min. 30 x 6), type W200FS
Installation length:	Standard 60 mm, other installation lengths on request
Options:	Membrane with installation seam for installation after the pipeline is laid Consideration of potential eccentricity between medium and wall pipe

Wall pipe: Certification up to NB 400, intermediate sizes possible, use normal nominal bores if possible
 Minimum required distance between individual wall pipes: 100 mm
 Wall pipe thickness (► page 350–351)

Wall pipe insulation: For wall pipes thicker than 10 mm and a wall pipe overhang greater than 30 mm, the space not covered by the seal should be insulated using a 20 mm mineral wool insulation layer (materials class A1, melting point > 1000 °C). The surface of this insulating material should be shielded using a galvanised or stainless steel plate with a thickness of 0.5 to 2.0 mm

Medium pipe: Certified up to NB 150, intermediate sizes possible

Sectional medium pipe insulation:	Mineral wool insulation (materials class A1, melting point > 1000°C). The surface of this insulating material should be shielded using a galvanised or stainless steel belt with a thickness of 0.5 to 2.0 mm Length and thickness (▶ page 346)
Ring gap:	= Distance between wall pipe and medium pipe or sectional medium pipe insulation Depending on Building Supervisory Certification, 10 mm to 100 mm required Ring gap stuffing made from mineral wool (materials class A1, melting point > 1000°C) Stuffing density $\geq 120 \text{ kg/m}^3$ (usually supplied by others) For ceiling ducts: Insulation must be secured against slippage using several brackets around the circumference
Pipe suspension:	Distance of pipe suspension to fire protection bulkhead max. 0.5 m Distance between individual pipe suspensions max. 1.2 m If a suspension penetrates the sectional medium pipe insulation, it must be furnished with insulation at least 30 mm thick and 300 mm high
Wall/ceiling thickness:	min. 200 mm concrete, reinforced concrete or gas concrete
Pressure:	Up to ± 20 mbar
Movement:	For axial and lateral movements (▶ page 350–351)

Elastic sealing

Membrane W200SS and W200FS	
Rubber grade:	up to 200°C: Silicon (Q) for air, water, seawater atmospheres Special silicone blend for nuclear applications
Carrier:	without

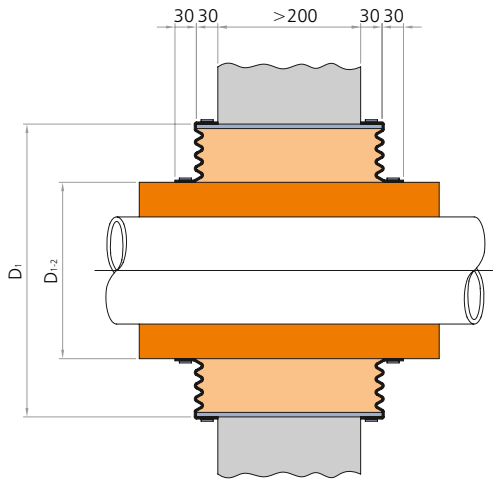
Fastening clamps

Membrane W200SS and W200FS	
Design:	Screw thread belt or small clamps
Width:	Screw thread belt: $\frac{1}{2}$ " Small clamp: depending on \varnothing : 9–12 mm
Materials:	Screw thread belt with threaded screw lug: 1.4310 Small clamp, belt and housing: 1.4016 (Screw steel galvanised)

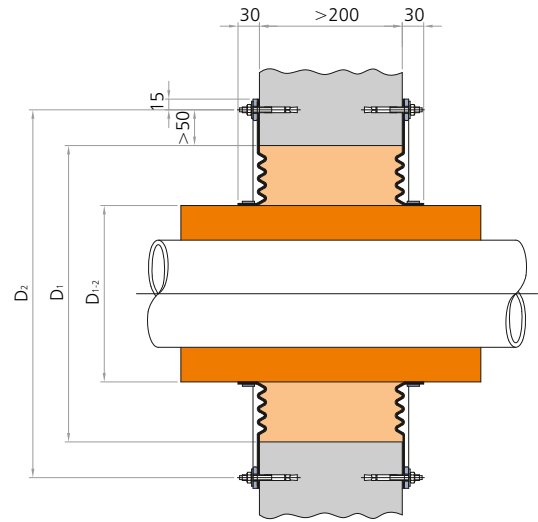
Flange

Design:	Multi-part clamping flange with clearance holes
Flange norms:	According to manufacturer specification
Materials:	Carbon steel: 1.0038 (S235JRG2) 1.0570 (S355J2G3) Stainless steel: 1.4301 (X5CrNi18-10) 1.4571 (X6CrNiMoTi17-12-2) Other materials on request
Coating:	Primed, hot-dip galvanised, special paint

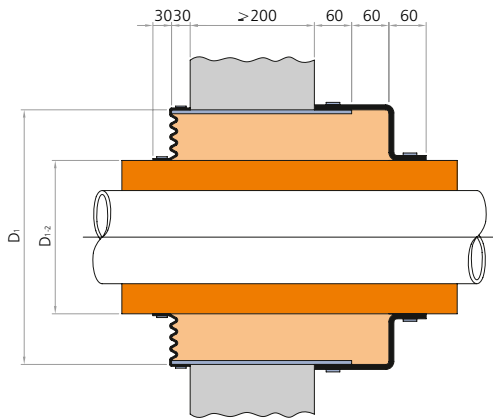
Planning help W200SS + W200SS



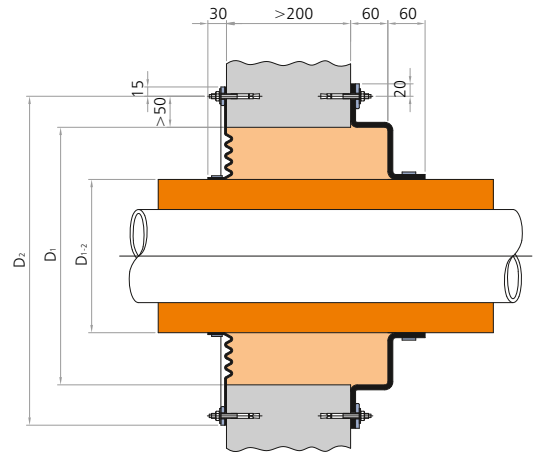
Planning help W200FS + W200FS



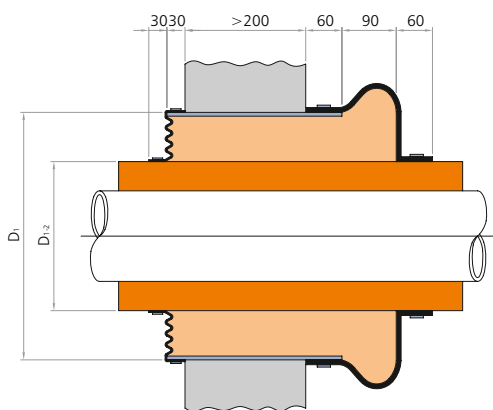
Planning help W200SS + W400SS



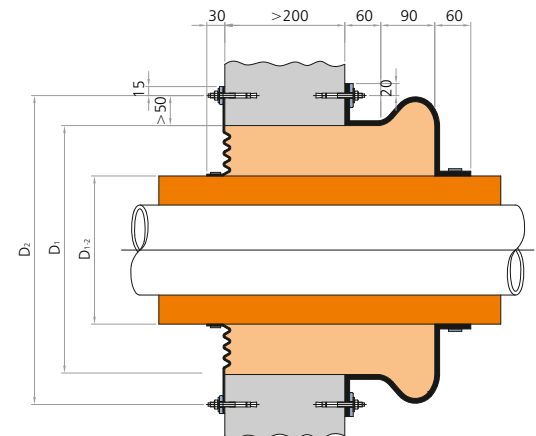
Planning help W200FS + W400FS



Planning help W200SS + W410SS



Planning help W200FS + W410FS





Membrane, type W200SS
to seal fire protection bulkhead



Expansion joint, type W410SS
to seal fire protection bulkhead