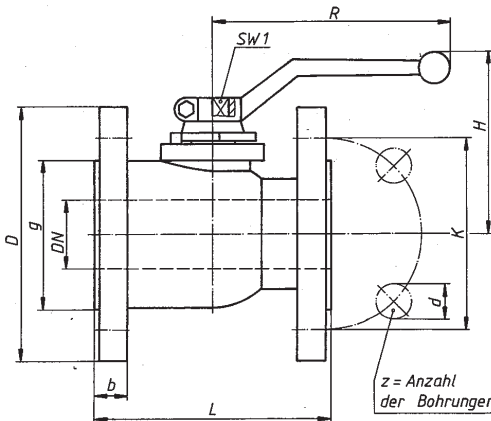




Volldurchgang / reduzierter Durchgang



| Werkstoffe | PN | DN | Standardausführung |
|------------|-------|--------|-------------------------|
| Gehäuse | 10-40 | 32-200 | Edelstahl 1.4571/1.4581 |
| Kugel | 10-40 | 32-200 | Edelstahl 1.4571/1.4581 |
| Dichtungen | 10-40 | 32-200 | PTFE |

Bitte Baureihen-Bez. und Typ angeben:
EKF (V/R) XXX.XXX



- Mit DIN-DVGW-Anerkennung für Gas.
- Der Schaltgriff gehört zum Lieferumfang; bei schwierigen Medien ab DN 150 Getriebe erforderlich.
- Bei Kugelhähnen mit Dichtungen aus PTFE werden im Normalfall O-Ringe aus FPM eingebaut.
- Sonderausführungen auf Anfrage.

| Flanschanschlussmaße DIN 2501 Blatt 1 | DN | LW | PN | L | D | g | K | b | z | d | H | R | SW 1 | Gew. kg | Baureihen- Bezeichnung |
|--|-----|-----|----|-----|-----|-----|-----|----|----|----|-----|-----|---------|------------|---------------------------|
| PN 10 | | | | | | | | | | | | | | | |
| Glatte Dichtleiste* | | | | | | | | | | | | | | | |
| | 32 | 32 | 10 | 130 | 140 | 78 | 100 | 18 | 4 | 18 | 125 | 205 | 16 | 6,7 | EKF V 010.032 |
| | 40 | 40 | 10 | 140 | 150 | 88 | 110 | 18 | 4 | 18 | 130 | 205 | 16 | 8,1 | EKF V 010.040 |
| | 50 | 50 | 10 | 150 | 165 | 102 | 125 | 20 | 4 | 18 | 138 | 205 | 16 | 10,6 | EKF V 010.050 |
| | 65 | 65 | 10 | 170 | 185 | 122 | 145 | 20 | 4 | 18 | 146 | 300 | 16 | 20,0 | EKF V 010.065 |
| | 80 | 80 | 10 | 180 | 200 | 138 | 160 | 22 | 8 | 18 | 160 | 350 | 22 | 24,5 | EKF V 010.080 |
| | 100 | 100 | 10 | 190 | 220 | 158 | 180 | 22 | 8 | 18 | 175 | 350 | 22 | 29,0 | EKF V 010.100 |
| | 125 | 125 | 10 | 325 | 250 | 188 | 210 | 22 | 8 | 18 | 195 | 500 | 22 | 49,0 | EKF V 010.125 |
| | 150 | 150 | 10 | 350 | 285 | 212 | 240 | 22 | 8 | 22 | 240 | 600 | 32 | 68,0 | EKF V 010.150 |
| | 200 | 200 | 10 | 400 | 340 | 268 | 295 | 24 | 8 | 22 | 275 | 600 | 32 | 100,0 | EKF V 010.200 |
| reduziert | | | | | | | | | | | | | | | |
| | 32 | 25 | 10 | 130 | 140 | 78 | 100 | 18 | 4 | 18 | 95 | 180 | 12 | 5,5 | EKF R 010.032 |
| | 40 | 32 | 10 | 140 | 150 | 88 | 110 | 18 | 4 | 18 | 119 | 205 | 16 | 6,5 | EKF R 010.040 |
| | 50 | 40 | 10 | 150 | 165 | 102 | 125 | 18 | 4 | 18 | 125 | 205 | 16 | 9,0 | EKF R 010.050 |
| | 65 | 50 | 10 | 170 | 185 | 122 | 145 | 18 | 4 | 18 | 132 | 205 | 16 | 12,0 | EKF R 010.065 |
| | 80 | 65 | 10 | 180 | 200 | 138 | 160 | 20 | 8 | 18 | 140 | 300 | 16 | 16,0 | EKF R 010.080 |
| | 100 | 80 | 10 | 190 | 220 | 158 | 180 | 20 | 8 | 18 | 160 | 350 | 22 | 22,0 | EKF R 010.100 |
| PN 16 | | | | | | | | | | | | | | | |
| Glatte Dichtleiste* | | | | | | | | | | | | | | | |
| | 32 | 32 | 16 | 130 | 140 | 78 | 100 | 18 | 4 | 18 | 125 | 205 | 16 | 6,7 | EKF V 016.032 |
| | 40 | 40 | 16 | 140 | 150 | 88 | 110 | 18 | 4 | 18 | 130 | 205 | 16 | 8,1 | EKF V 016.040 |
| | 50 | 50 | 16 | 150 | 165 | 102 | 125 | 20 | 4 | 18 | 138 | 205 | 16 | 10,6 | EKF V 016.050 |
| | 65 | 65 | 16 | 170 | 185 | 122 | 145 | 20 | 4 | 18 | 146 | 300 | 16 | 20,0 | EKF V 016.065 |
| | 80 | 80 | 16 | 180 | 200 | 138 | 160 | 22 | 8 | 18 | 160 | 350 | 22 | 24,5 | EKF V 016.080 |
| | 100 | 100 | 16 | 190 | 220 | 158 | 180 | 22 | 8 | 18 | 175 | 350 | 22 | 29,0 | EKF V 016.100 |
| | 125 | 125 | 16 | 325 | 250 | 188 | 210 | 22 | 8 | 18 | 195 | 500 | 22 | 49,0 | EKF V 016.125 |
| | 150 | 150 | 16 | 350 | 285 | 212 | 240 | 22 | 8 | 22 | 240 | 600 | 32 | 68,0 | EKF V 016.150 |
| | 200 | 200 | 16 | 400 | 340 | 268 | 295 | 24 | 12 | 22 | 275 | 600 | 32 | 100,0 | EKF V 016.200 |
| reduziert | | | | | | | | | | | | | | | |
| | 32 | 25 | 16 | 130 | 140 | 78 | 100 | 18 | 4 | 18 | 95 | 180 | 12 | 5,5 | EKF R 016.032 |
| | 40 | 32 | 16 | 140 | 150 | 88 | 110 | 18 | 4 | 18 | 119 | 205 | 16 | 6,5 | EKF R 016.040 |
| | 50 | 40 | 16 | 150 | 165 | 102 | 125 | 18 | 4 | 18 | 125 | 205 | 16 | 9,0 | EKF R 016.050 |
| | 65 | 50 | 16 | 170 | 185 | 122 | 145 | 18 | 4 | 18 | 132 | 205 | 16 | 12,0 | EKF R 016.065 |
| | 80 | 65 | 16 | 180 | 200 | 138 | 160 | 20 | 8 | 18 | 140 | 300 | 16 | 16,0 | EKF R 016.080 |
| | 100 | 80 | 16 | 190 | 220 | 158 | 180 | 20 | 8 | 18 | 160 | 350 | 22 | 22,0 | EKF R 016.100 |
| PN 25 | | | | | | | | | | | | | | | |
| Glatte Dichtleiste* | | | | | | | | | | | | | | | |
| | 32 | 32 | 25 | 130 | 140 | 78 | 100 | 18 | 4 | 18 | 125 | 205 | 16 | 6,7 | EKF V 025.032 |
| | 40 | 40 | 25 | 140 | 150 | 88 | 110 | 18 | 4 | 18 | 130 | 205 | 16 | 8,1 | EKF V 025.040 |
| | 50 | 50 | 25 | 150 | 165 | 102 | 125 | 20 | 4 | 18 | 138 | 205 | 16 | 10,6 | EKF V 025.050 |
| | 65 | 65 | 25 | 170 | 185 | 122 | 145 | 22 | 8 | 18 | 146 | 300 | 16 | 20,0 | EKF V 025.065 |
| | 80 | 80 | 25 | 180 | 200 | 138 | 160 | 24 | 8 | 18 | 160 | 350 | 22 | 24,5 | EKF V 025.080 |
| | 100 | 100 | 25 | 190 | 235 | 162 | 190 | 24 | 8 | 22 | 175 | 350 | 22 | 33,0 | EKF V 025.100 |
| | 125 | 125 | 25 | 325 | 270 | 188 | 220 | 26 | 8 | 26 | 195 | 500 | 22 | 55,0 | EKF V 025.125 |
| | 150 | 150 | 25 | 350 | 300 | 218 | 250 | 28 | 8 | 26 | 240 | 600 | 32 | 76,0 | EKF V 025.150 |
| | 200 | 200 | 25 | 400 | 360 | 278 | 310 | 30 | 12 | 26 | 275 | 600 | 32 | 112,0 | EKF V 025.200 |
| reduziert | | | | | | | | | | | | | | | |
| | 32 | 25 | 25 | 130 | 140 | 78 | 100 | 18 | 4 | 18 | 95 | 180 | 12 | 5,5 | EKF R 025.032 |
| | 40 | 32 | 25 | 140 | 150 | 88 | 110 | 18 | 4 | 18 | 119 | 205 | 16 | 6,5 | EKF R 025.040 |
| | 50 | 40 | 25 | 150 | 165 | 102 | 125 | 20 | 4 | 18 | 125 | 205 | 16 | 9,0 | EKF R 025.050 |
| | 65 | 50 | 25 | 170 | 185 | 122 | 145 | 20 | 8 | 18 | 132 | 205 | 16 | 12,0 | EKF R 025.065 |
| | 80 | 65 | 25 | 180 | 200 | 138 | 160 | 22 | 8 | 18 | 140 | 300 | 16 | 16,0 | EKF R 025.080 |
| | 100 | 80 | 25 | 190 | 235 | 162 | 190 | 24 | 8 | 22 | 160 | 350 | 22 | 22,0 | EKF R 025.100 |
| PN 40 | | | | | | | | | | | | | | | |
| Glatte Dichtleiste* | | | | | | | | | | | | | | | |
| | 32 | 32 | 40 | 130 | 140 | 78 | 100 | 18 | 4 | 18 | 125 | 205 | 16 | 6,7 | EKF V 040.032 |
| | 40 | 40 | 40 | 140 | 150 | 88 | 110 | 18 | 4 | 18 | 130 | 205 | 16 | 8,1 | EKF V 040.040 |
| | 50 | 50 | 40 | 150 | 165 | 102 | 125 | 20 | 4 | 18 | 138 | 205 | 16 | 10,6 | EKF V 040.050 |
| | 65 | 65 | 40 | 170 | 185 | 122 | 145 | 22 | 8 | 18 | 146 | 300 | 16 | 20,0 | EKF V 040.065 |
| | 80 | 80 | 40 | 180 | 200 | 138 | 160 | 24 | 8 | 18 | 160 | 350 | 22 | 24,5 | EKF V 040.080 |
| | 100 | 100 | 40 | 190 | 235 | 162 | 190 | 24 | 8 | 22 | 175 | 350 | 22 | 33,0 | EKF V 040.100 |
| | 125 | 125 | 40 | 325 | 270 | 188 | 220 | 26 | 8 | 26 | 195 | 500 | 22 | 55,0 | EKF V 040.125 |
| | 150 | 150 | 40 | 350 | 300 | 218 | 250 | 28 | 8 | 26 | 240 | 600 | 32 | 76,0 | EKF V 040.150 |
| | 200 | 200 | 40 | 400 | 375 | 285 | 320 | 34 | 12 | 30 | 275 | 600 | 32 | 120,0 | EKF V 040.200 |
| reduziert | | | | | | | | | | | | | | | |
| | 32 | 25 | 40 | 130 | 140 | 78 | 100 | 18 | 4 | 18 | 95 | 180 | 12 | 5,5 | EKF R 040.032 |
| | 40 | 32 | 40 | 140 | 150 | 88 | 110 | 18 | 4 | 18 | 119 | 205 | 16 | 6,5 | EKF R 040.040 |
| | 50 | 40 | 40 | 150 | 165 | 102 | 125 | 20 | 4 | 18 | 125 | 205 | 16 | 9,0 | EKF R 040.050 |

* Weitere Formen der Flansch-Dichtflächen auf Anfrage.